

SOUND LOCK SOUNDPROOF DOOR

SPEC SHEET

- ✓ **High Performance Wood Soundproof Door**
- ✓ **Up to STC 56 (ASTM E90)**
- ✓ **Custom Built to Any Spec**
- ✓ **4 Week Lead Time**
- ✓ **Pre-Hung & Easy to Install**

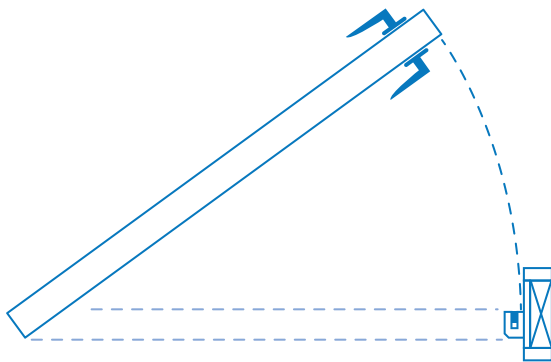


Material:	Oak (standard), Maple, Cherry, Walnut – Built with Any Wood Species!
Standard Features:	Attractive Interior Wood Door, Extremely Cost-Effective, Up to STC 56, Ready to be Painted or Stained, Fit Any Wall Thickness, Adjustable Door Seals, 3-Point Latching System, Shop Drawings Included, Pre-Hung and Pre-Assembled
Add on Features:	Double Doors, View Window, Fire Rated (90min), Automatic Door Closer, Kickplate
Application:	Recording Studios, Radio Stations, Broadcasting, Entertainment Venues, Offices, Conference Rooms, Hotels, Medical Facilities, Casinos, Theaters, Schools, Condos, Military, Law Enforcement, Restaurants, Gun Ranges, Courtrooms, Research Labs, Anywhere Else!
Sizes:	Up to 5' x 10' per Door, Custom Available
Thickness:	2-3/4"
Handle Style:	Venice (standard), Torino, Allegro, Custom Available if Provided by Customer
Hardware Color:	Satin Chrome (standard), Polished Brass, Antique Brass, Oil Rubbed Bronze, Black, Satin Nickel, Dark Bronze, Pewter
View Windows:	10" x 10", 6" x 28", 22" x 28", 22" x 56"
Installation:	Pre-Hung and Pre-Assembled, Install Guide Provided

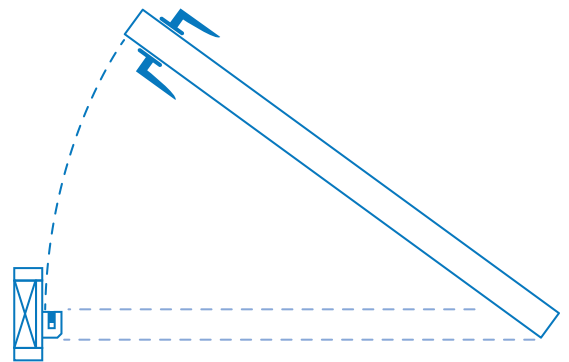
Type of Soundproof Door	STC Rating
Standard Door	56
Door with Small Window (6" x 28", 10" x 10")	53-55
Door with Large Window (22" x 28", 22" x 56")	51-53



Select Your Door Swing



Left Hand Swing



Right Hand Swing