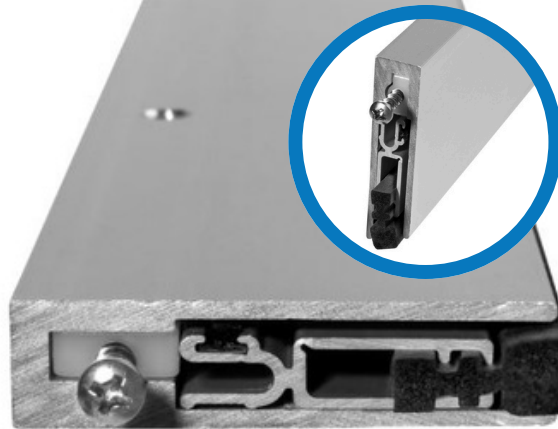


Sound Lock™ Bottom Door Seal

SPEC SHEET

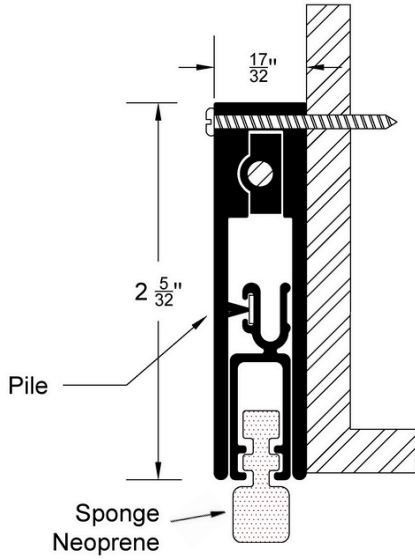
- ✓ Soundproofs Any Solid Core Door
- ✓ Add Up to 5 STC Points
- ✓ DIY Friendly Installation
- ✓ UL Fire Rated
- ✓ Upgrade from Door Sweep



Material:	Anodized Aluminum Casting with Soft, Neoprene Rubber Seal
Patterns:	Smooth Aluminum
Features:	Seals Bottom Of Door From Airborne Noise, High STC, Durable, Economical Solution, UL Fire Rated
Application:	Offices, Schools, Government Buildings, Study, Any Room with Solid Core Door
Durability Options:	Standard Office or Industrial
Bottom Seal Width:	Standard Size: 30" to 36" 24" to 48" Available
Thickness:	Standard Office: 17/32" Industrial: 7/8"
Weight:	~5 to 10 lbs
Color:	Clear Anodized, Dark Bronze Anodized, Gold Anodized
STC Rating:	Adds up to 5 STC points ; Max STC: 43
Installation:	Wood Screw (provided)

Bottom Seals

Standard Office



Industrial

