

RSIC-1 ADM Shoot-In Multi Clips

SPEC SHEET



- ✓ **Adjustable Drop for Level Ceiling**
- ✓ **Low-Cost Alternative to Spring Hangers**
- ✓ **Minimum Ceiling Drop**
- ✓ **Quick Shoot-In Install in Concrete**
- ✓ **Multiple UL Rated Designs**

Material:	Coated Steel and Rubber
Features:	Adjustable Drop for Level Ceilings, Low-Cost Alternative to Spring Hangers, Labor Saving Concrete Shoot-In Install, Maximum STC and IIC Performance with Minimum Ceiling Drop, Holds up to 3 Layers of 5/8" Drywall in Concrete Assemblies, Compatible with Wood or Steel Joists, Large Variety of UL Rated Design Assemblies
Application:	Condos, Apartments, Gyms, Generator Rooms, Home Theater, Home Studio, Offices, Conference Rooms, Schools, Bars, Restaurants, Music Rooms, Universities, Hospitals, Houses of Worship, Multi-Purpose Rooms, Government Facilities
Clip Dimensions:	3" Wide x 1-1/4" Deep x 1" Long (*see below for total depth)
Ceiling Drop Size:	2-5/8" - 12" Ceiling Drop (*see chart below) (From Concrete to Drywall)
Maximum Load:	36 lbs per Isolator
Maximum Spacing:	24" x 48" o.c. to Support 1-2 layers of 5/8" Drywall (Wood, Steel, or Concrete) 16" x 48" o.c. to Support 3 layers of 5/8" Drywall (Concrete Only)
Furring (Hat) Channel:	25 Gauge, Hemmed Edge Detail, and Meets or Exceeds SSMA Requirements
Installation:	25 Gauge Furring (Hat) Channel, Shot Into Concrete with a Gas or Powder Actuated 3/4" Pin Min. or Screws (Wood & Steel) *see below for all requirements

Fastener Size Requirements

RSIC-1 ADM to Concrete 3/4" minimum gas or powder actuated pin

RSIC-1 ADM to Wood #7 x 1-5/8" minimum size coarse thread screw

RSIC-1 ADM to Steel #7 x 1" minimum size fine thread screw

Estimated Clips Needed for Ceilings - 24" x 48" o.c. (Wood, Steel, or Concrete)

Room Dimensions	10'	20'	30'	40'
10'	19 clips	37 clips	55 clips	73 clips
20'	37 clips	73 clips	110 clips	146 clips
30'	55 clips	110 clips	164 clips	219 clips
40'	73 clips	146 clips	219 clips	291 clips

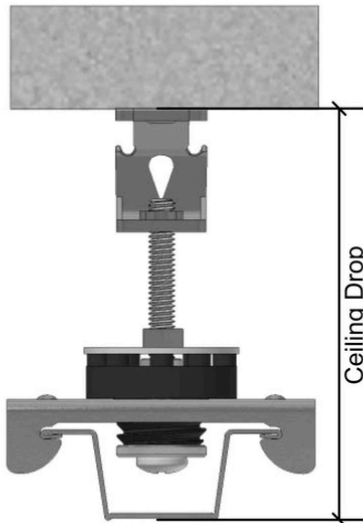
Estimated Clips Needed for Ceilings - 16" x 48" o.c. (Concrete)

Room Dimensions	10'	20'	30'	40'
10'	23 clips	45 clips	67 clips	89 clips
20'	45 clips	89 clips	134 clips	178 clips
30'	67 clips	134 clips	200 clips	267 clips
40'	89 clips	178 clips	267 clips	356 clips

Reach out to us for exact number of clips and linear feet of channel for your assembly.

RSIC-1 ADM Shoot-In Multi Clip Ceiling Drop Guide

Ceiling Drop Size	Min Drop	Max Drop
2-5/8"	2-5/8"	2-5/8"
3"	3"	3-1/2"
4"	4"	4-1/2"
5"	5"	5-1/2"
6"	6"	6-1/2"
7"	7"	7-1/2"
8"	8"	8-1/2"
9"	9"	9-1/2"
10"	10"	10-1/2"
11"	11"	11-1/2"
12"	12"	12"



*for a ceiling drop greater than 12", we recommend the [RSIC-WHI](#), [RSIC-DC04](#) with wire, or the RSIC-1.5 CRC.

For help choosing the correct ceiling drop for your assembly, [call us at 1-800-679-8511](tel:1-800-679-8511).